

NAVIGATE THE CATALOG BY SECTION

[1](#) [2](#) [3](#) [4](#) [5](#) [6](#) [7](#) [8](#) [9](#) [10](#) [11](#) [12](#) [13](#) [14](#) [15](#) [16](#) [17](#) [18](#) [19](#)

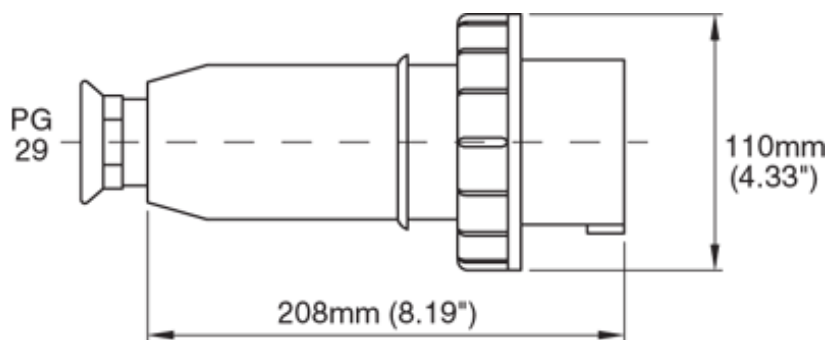


LAPP ONLINE CATALOG

EPIC® Pin & Sleeve Connectors

60 Amp: North American Version

ALUPRES Aluminum Enclosures Direct Connect



TECHNICAL DATA

Impact Resistance:	8J
Ambient Temperature:	-25°C to 70°C
Flame Resistance:	
➤ Glow Wire Test: Enclosure:	850°C
➤ Glow Wire Test: Contact Enclosure:	850°C
➤ Self-Extinguishing: Enclosure:	UL94-V2

PART NUMBERS

Part Number	Voltage	# of Wires	# of Poles	Ground-Clock Position
477207FX	125	3	1+N+PE	4
477307FX	250	3	2+PE	6
477367FX	125/250	4	2+N+PE	12
477317FX	3Ø250	4	3+PE	9
477517FX	3Ø480	4	3+PE	7
477327FX	3ØY 120/208	5	3+N+PE	9

MATING COMPONENTS

- [CEE Straight Female Connector with Cable Gland, IP 67](#)
- [CEE Angled Female Panel Mount Receptacle, IP 67](#)
- [CEE Straight Female Panel Mount Receptacle, IP 67](#)
- [ULYSSE Switched Socket Outlet with Fuse Holder, IP 66/67](#)
- [ALUPRES Switched Socket Outlet: Direct Connect, IP 55](#)



DOWNLOAD PDF CATALOG PAGE

LAPP USA • LAPP CANADA • LAPP MEXICO
 Headquarters: 29 Hanover Road, Florham Park, NJ 07932
 800-774-3539 • FAX: 973-660-9330 • sales@lappusa.com